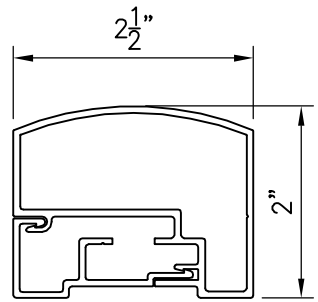
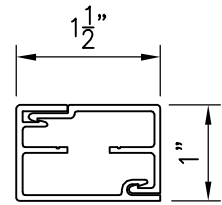


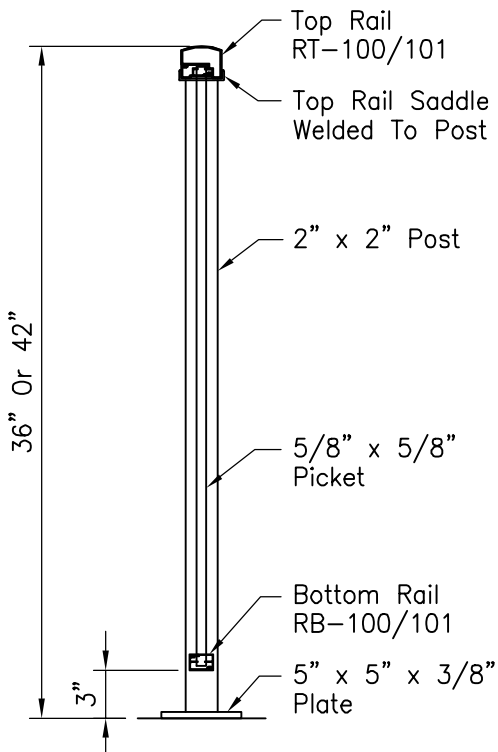
File: A2000dwg\S.T.A.R.\Star System Rail Jan 13 2011.Dwg



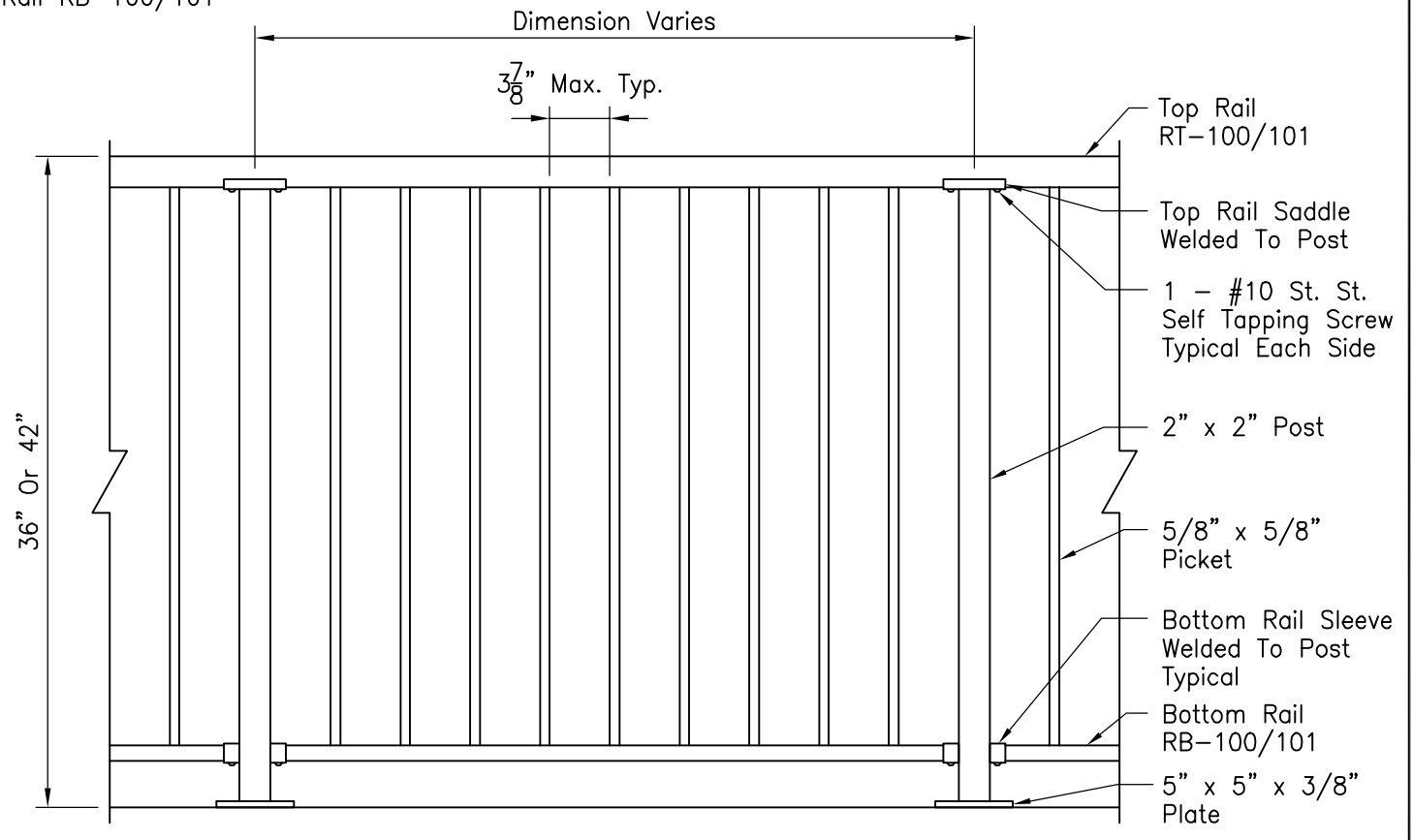
Top Rail RT-100/101



Bottom Rail RB-100/101

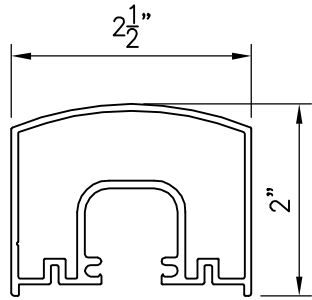


Picket Sections

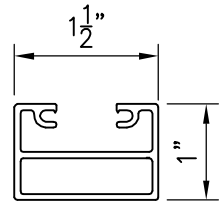


Picket Elevations

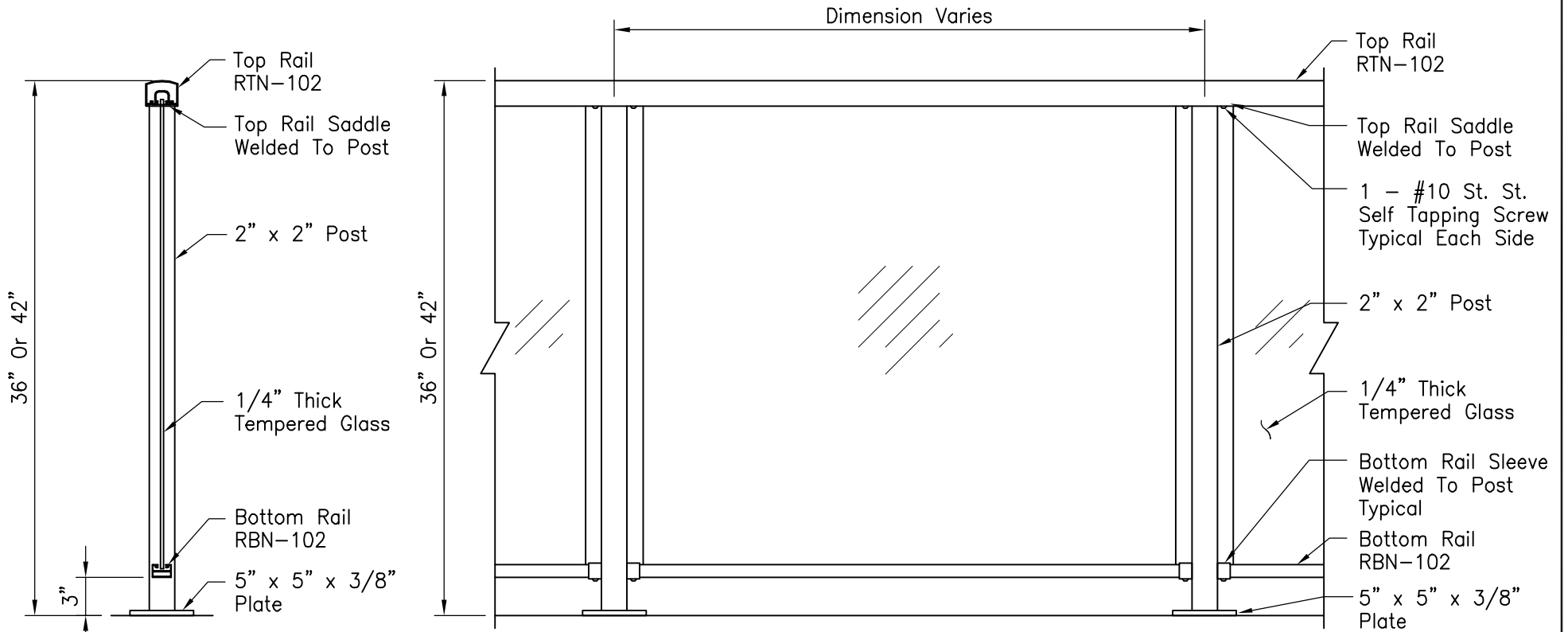
<p>Title:</p> <p style="text-align: center; font-size: 1.2em;">CLASSIC STYLE</p> <p style="text-align: center; font-size: 1.2em;">36" OR 42" High Picket</p>	<p>Drawing No.</p> <p style="text-align: center; font-size: 1.2em;">SS101</p>	<p>Scale:</p> <p style="text-align: center; font-size: 1.2em;">1"=1'-0"</p>	<p style="text-align: center; font-weight: bold; font-size: 1.2em;">S.T.A.R. SYSTEM INTERNATIONAL LTD.</p> <p style="text-align: center; font-size: 0.8em;">ALUMINUM RAILING & FENCING</p>
	<p>Drawn By:</p> <p style="text-align: center; font-size: 1.2em;">KK</p>	<p>Date:</p> <p style="text-align: center; font-size: 1.2em;">January 13, 2011</p>	
	<p>Checked By:</p>	<p>Revision:</p>	



Top Rail RTN-102




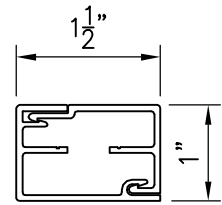
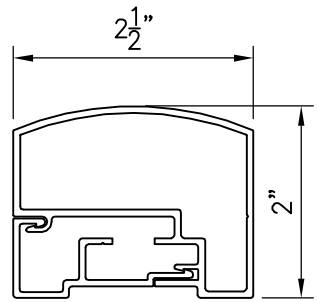
Bottom Rail RBN-102



Glass Sections

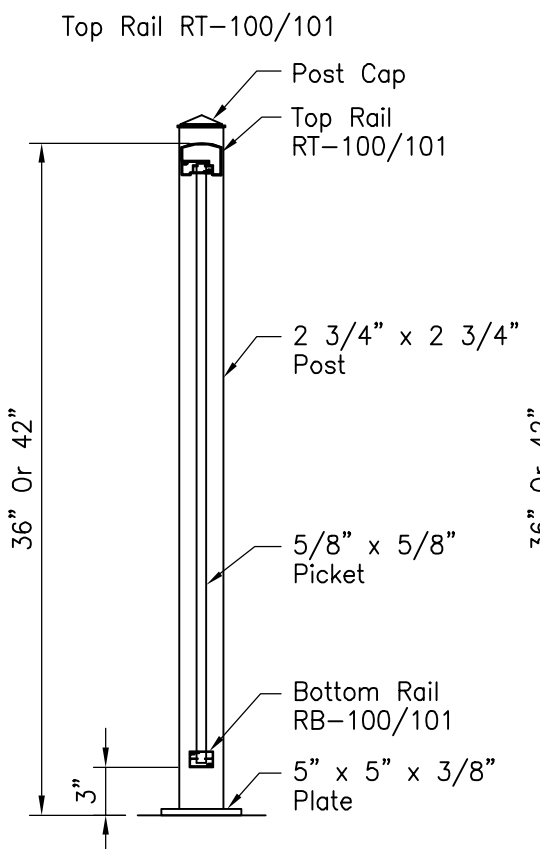
Glass Elevations

Title: CLASSIC STYLE	Drawing No. SS102	Scale: 1"=1'-0"	S.T.A.R. SYSTEM INTERNATIONAL LTD. ALUMINUM RAILING & FENCING 
	Drawn By: KK	Date: January 13, 2011	
36" OR 42" High Glass	Checked By:	Revision:	

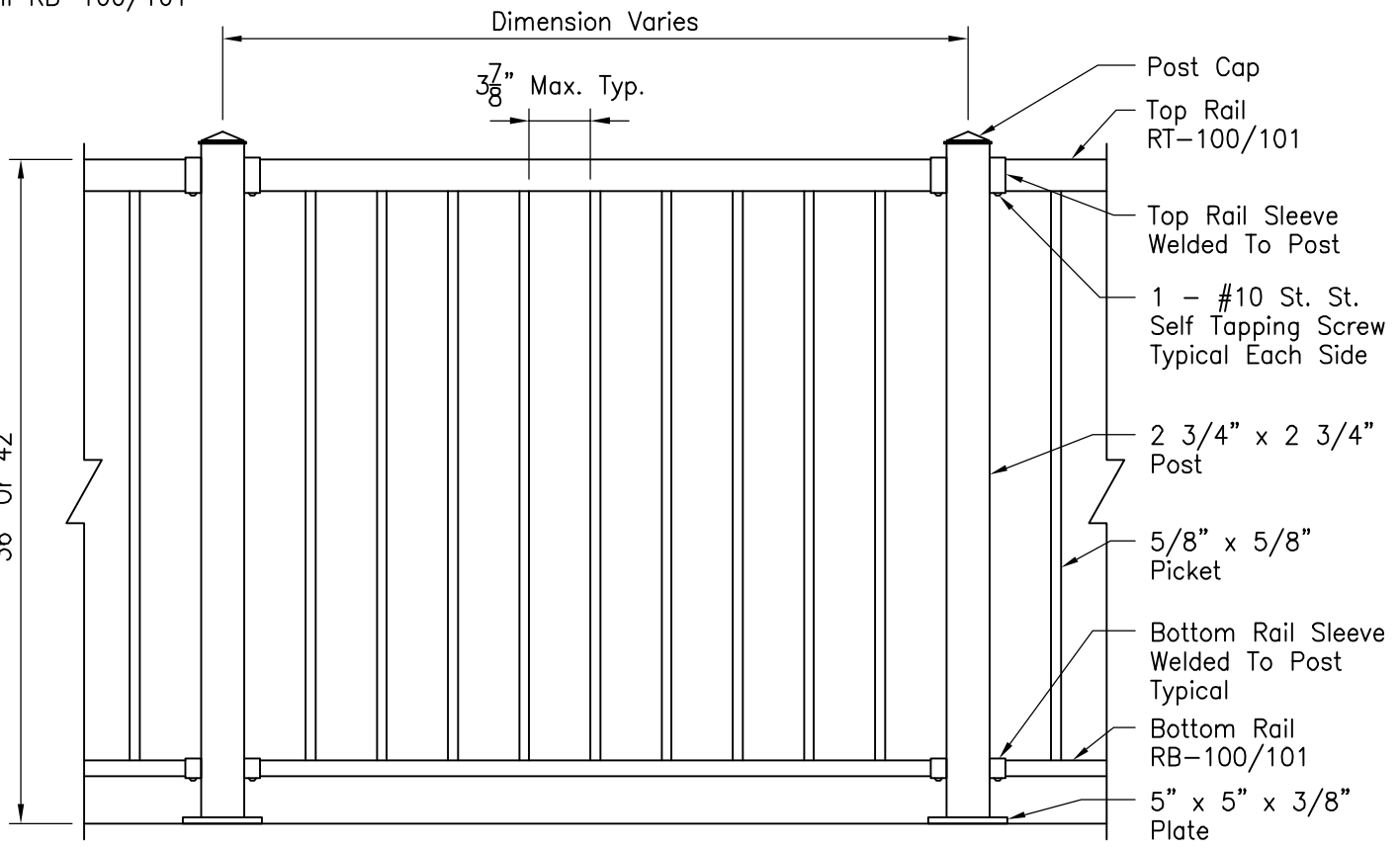


Bottom Rail RB-100/101


Top Rail RT-100/101

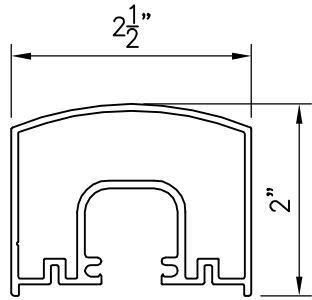


Picket Sections

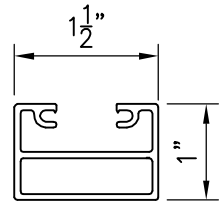


Picket Elevations

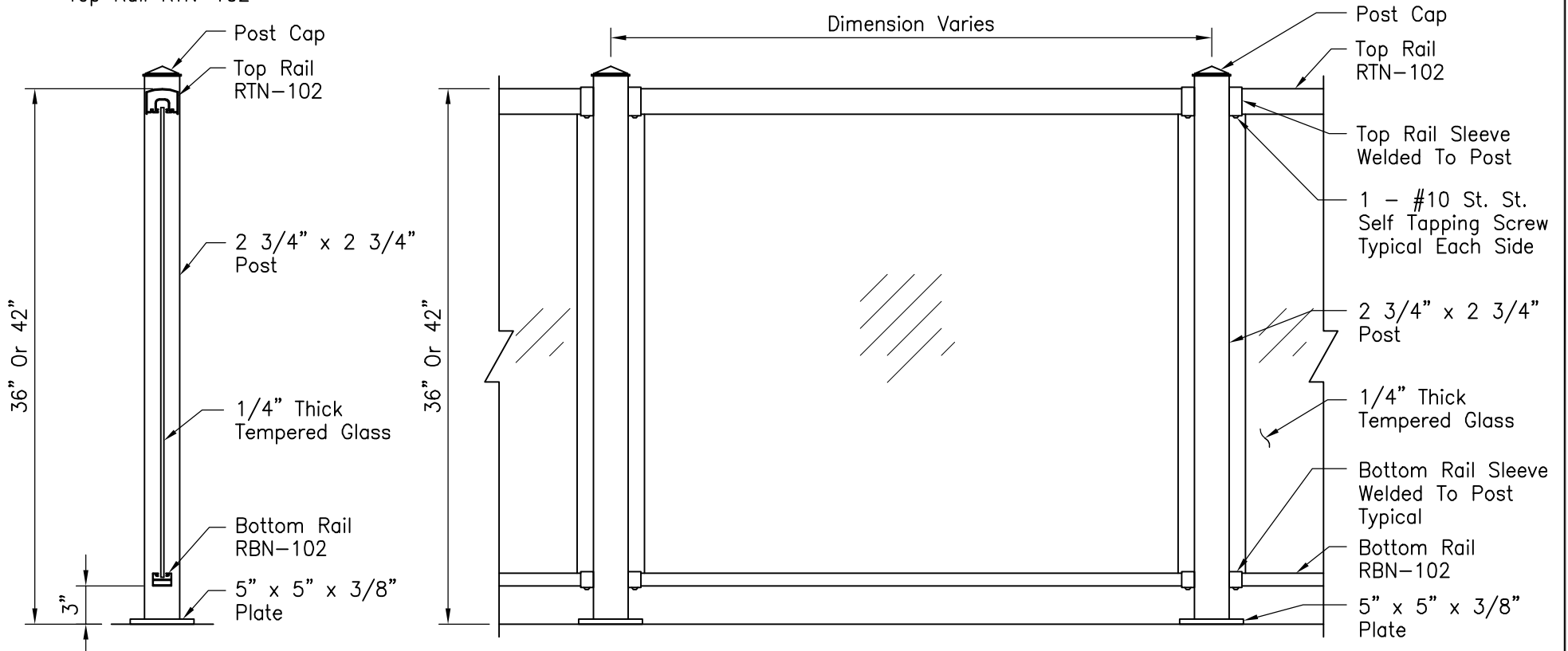
Title: COLONIAL STYLE	Drawing No. SS103	Scale: 1"=1'-0"	S.T.A.R. SYSTEM INTERNATIONAL LTD. ALUMINUM RAILING & FENCING 
	Drawn By: KK	Date: January 13, 2011	
36" OR 42" High Picket	Checked By:	Revision:	



Top Rail RTN-102




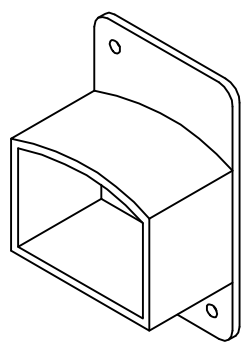
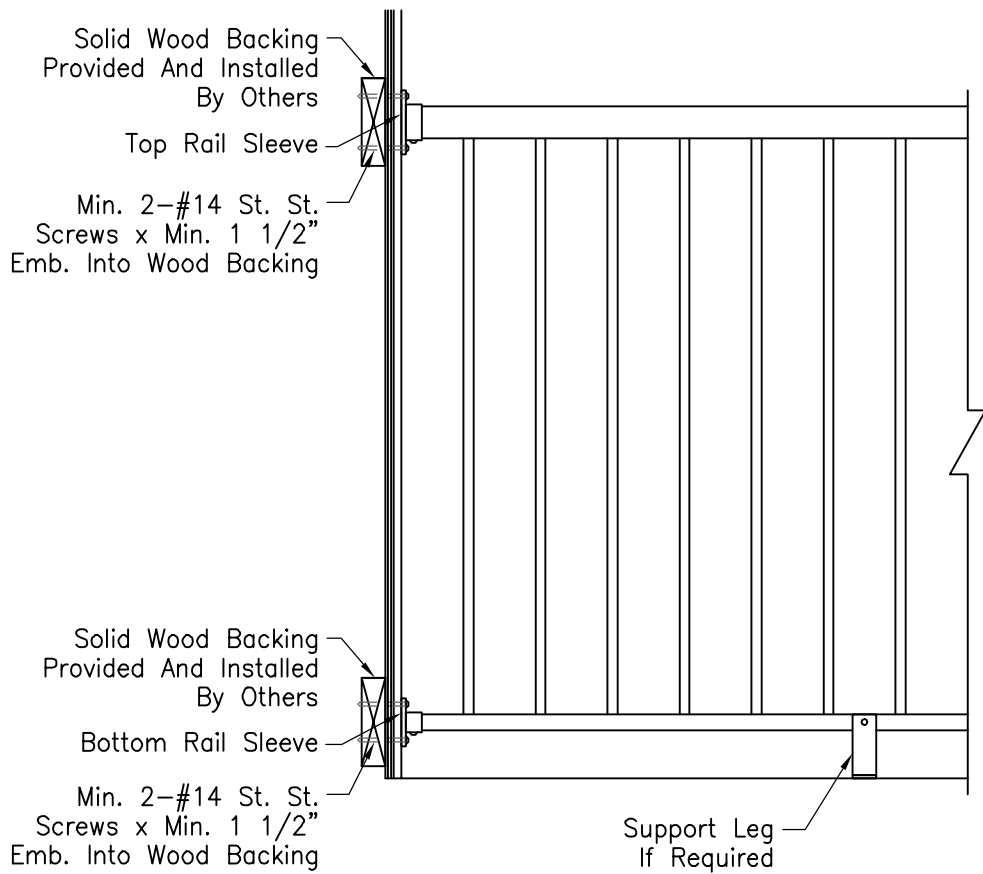
Bottom Rail RBN-102



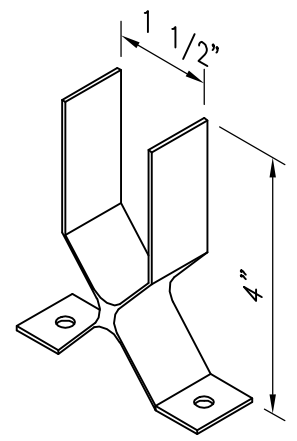
Glass Sections

Glass Elevations

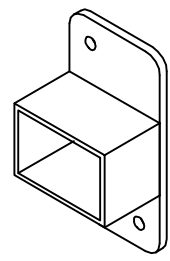
Title: COLONIAL STYLE	Drawing No. SS104	Scale: 1"=1'-0"	S.T.A.R. SYSTEM INTERNATIONAL LTD. ALUMINUM RAILING & FENCING 
	Drawn By: KK	Date: January 13, 2011	
36" OR 42" High Glass	Checked By:	Revision:	



Top Rail Sleeve TS-212

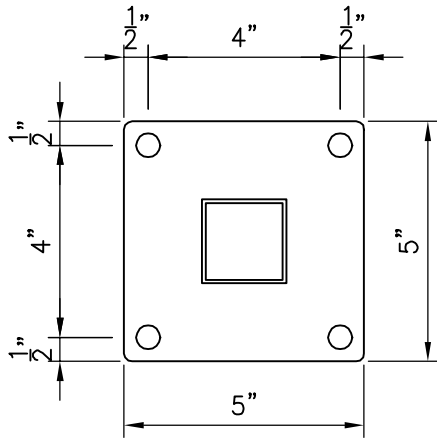


Support Leg BL-112

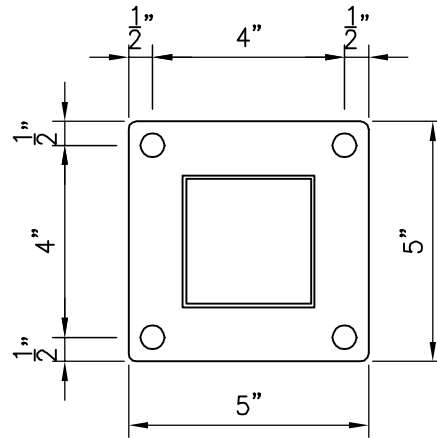


Bottom Rail Sleeve BS-112

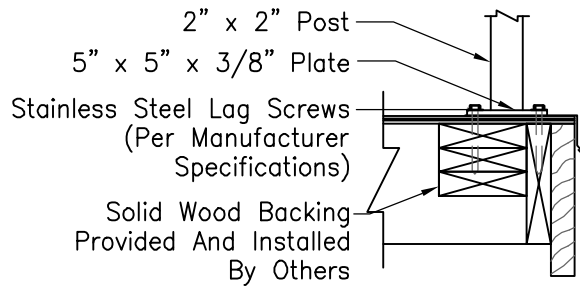
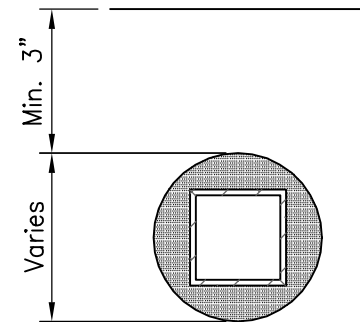
Title: WALL ATTACHMENT DETAILS	Drawing No. SS105	Scale: 1"=1'-0"	S.T.A.R. SYSTEM INTERNATIONAL LTD. ALUMINUM RAILING & FENCING
	Drawn By: KK	Date: January 13, 2011	
	Checked By:	Revision:	



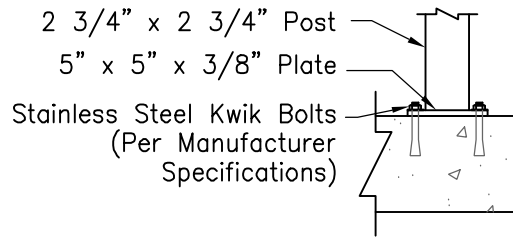
Standard 5"x5"x3/8" Plate



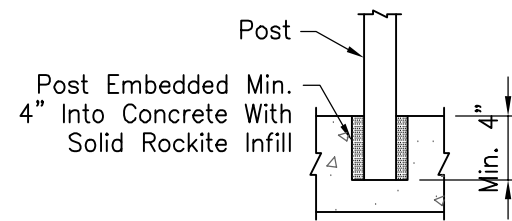
Standard 5x5x3/8" Plate




Mounting Plate Attached To Wood Detail



Mounting Plate Attached To Concrete Detail



Core Detail

Title: MOUNTING PLATE DETAIL	Drawing No. SS106	Scale: 3"=1'-0"	S.T.A.R. SYSTEM INTERNATIONAL LTD. ALUMINUM RAILING & FENCING 
	Drawn By: KK	Date: January 13, 2011	
	Checked By:	Revision:	